

KAF-5060PBSEEVGC

BLUE / HYPER ORANGE /GREEN

### Features

- OUTSTANDING MATERIAL EFFICIENCY.
- RELIABLE AND RUGGED.
- WATER CLEAR LENS.
- LOW POWER CONSUMPTION.
- ONE BLUE , ONE ORANGE AND ONE GREEN CHIPS IN ONE PACKAGE.
- CAN PRODUCE ANY COLOR IN VISIBLE SPECTRUM, INCLUDING WHITE LIGHT.

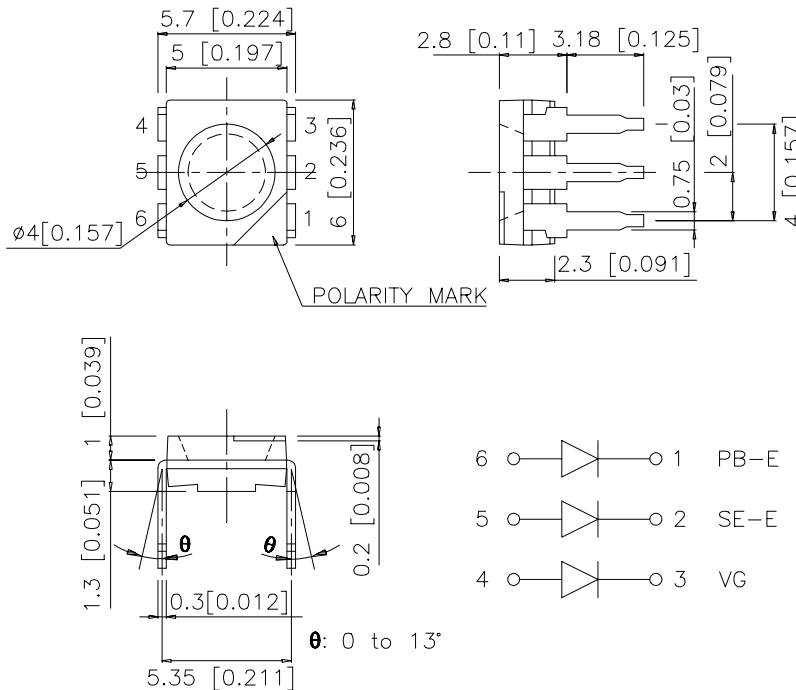
### Description

The Blue source color devices are made with InGaN on SiC Light Emitting Diode.

The Hyper Orange source color devices are made with DH InGaAlP on GaAs substrate Light Emitting Diode.

The Green source color devices are made with InGaN on SiC Light Emitting Diode.

### Package Dimensions



#### Notes:

1. All dimensions are in millimeters (inches).
2. Tolerance is  $\pm 0.25$  (0.01") unless otherwise noted.
3. Lead spacing is measured where the lead emerge package.
4. Specifications are subject to change without notice.

## Selection Guide

Part No.	Dice	Lens Type	Iv (mcd) @50mA		Viewing Angle
			Min.	Typ.	2θ1/2
KAF-5060PBESEEVGC	BLUE (InGaN)	WATER CLEAR	180	300	100°
	HYPER ORANGE(InGaAlP)		650	1000	
	GREEN (InGaN)		380	600	

Note:

1. θ1/2 is the angle from optical centerline where the luminous intensity is 1/2 the optical centerline value.

## Electrical / Optical Characteristics at T<sub>A</sub>=25°C

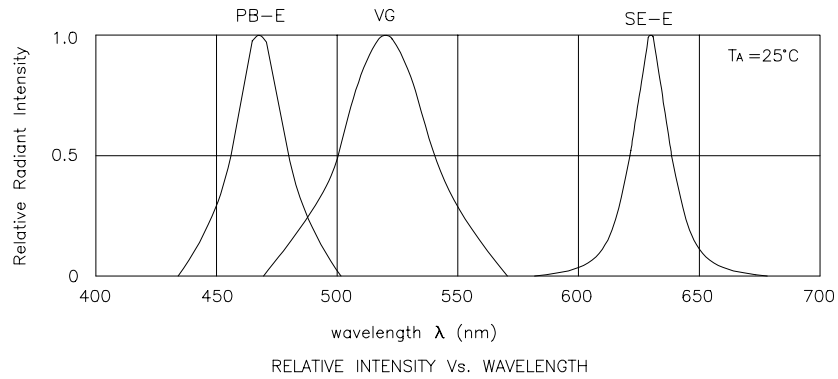
Symbol	Parameter	Device	Typ.	Max.	Units	Test Conditions
λ <sub>peak</sub>	Peak Wavelength	Blue Hyper Orange Green	465 630 520		nm	I <sub>F</sub> =20mA
λ <sub>D</sub>	Dominate Wavelength	Blue Hyper Orange Green	470 621 525		nm	I <sub>F</sub> =20mA
Δλ <sub>1/2</sub>	Spectral Line Half-width	Blue Hyper Orange Green	25 20 38		nm	I <sub>F</sub> =20mA
C	Capacitance	Blue Hyper Orange Green	110 25 45		pF	V <sub>F</sub> =0V;f=1MHz
V <sub>F</sub>	Forward Voltage	Blue Hyper Orange Green	3.7 2.0 4.0	4.3 2.5 4.5	V	I <sub>F</sub> =20mA
I <sub>R</sub>	Reverse Current	All		10	uA	V <sub>R</sub> = 5V

## Absolute Maximum Ratings at T<sub>A</sub>=25°C

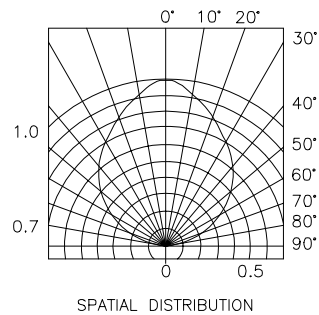
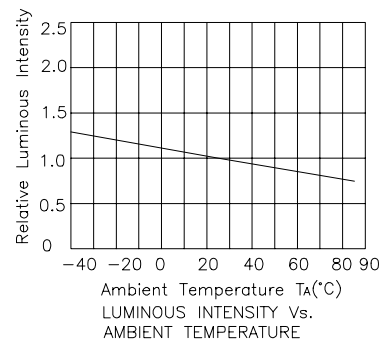
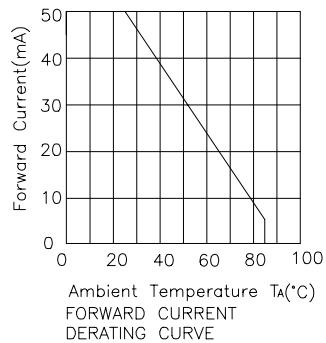
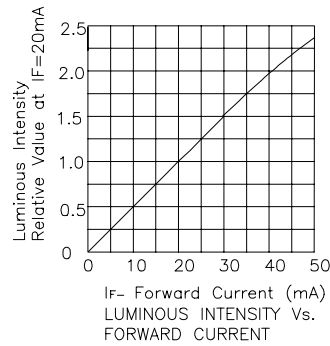
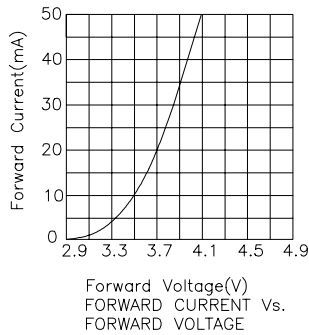
Parameter	Blue	Hyper Orange	Green	Units
Power dissipation	400	400	400	mW
Forward Current[1]	50	50	50	mA
Peak Forward Current[2]	160	195	150	mA
Reverse Voltage	5			V
Operating/Storage Temperature	-40°C To +85°C			
Lead Solder Temperature [3]	260°C For 5 Seconds			

Notes:

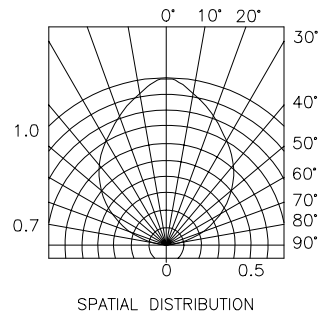
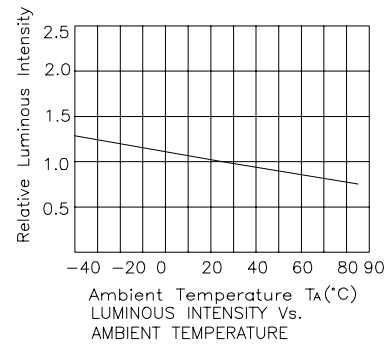
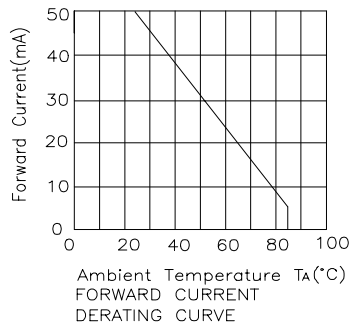
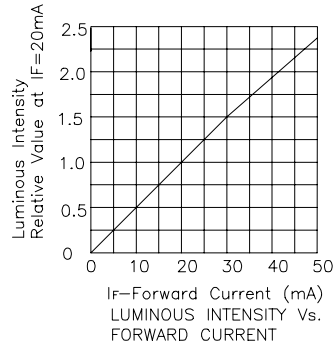
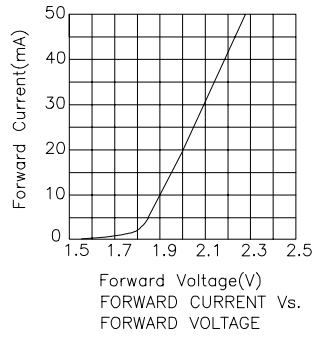
- The standard for operating of each color, Meanwhile, please control the Total Power Dissipation when you light it up.
- 1/10 Duty Cycle, 0.1ms Pulse Width.
- 2mm below package base.



## KAF-5060PBESEEVGC Blue



## Hyper Orange



Green

