

PRELIMINARY SPEC

L-7700C4VGC-H



Technical Data



ATTENTION
OBSERVE PRECAUTIONS
FOR HANDLING
ELECTROSTATIC
DISCHARGE
SENSITIVE
DEVICES

Features

- * HIGH LUMINANCE OUTPUT.
- * DESIGN FOR HIGH CURRENT OPERATION.
- * SOLDERLESS MOUNTING TECHNIQUE.
- * LOW POWER CONSUMPTION.
- * LOW THERMAL RESISTANCE.
- * LOW PROFILE.
- * PACKAGED IN TUBES FOR USE WITH
AUTOMATIC INSERTION EQUIPMENT.
- * RoHS COMPLIANT.

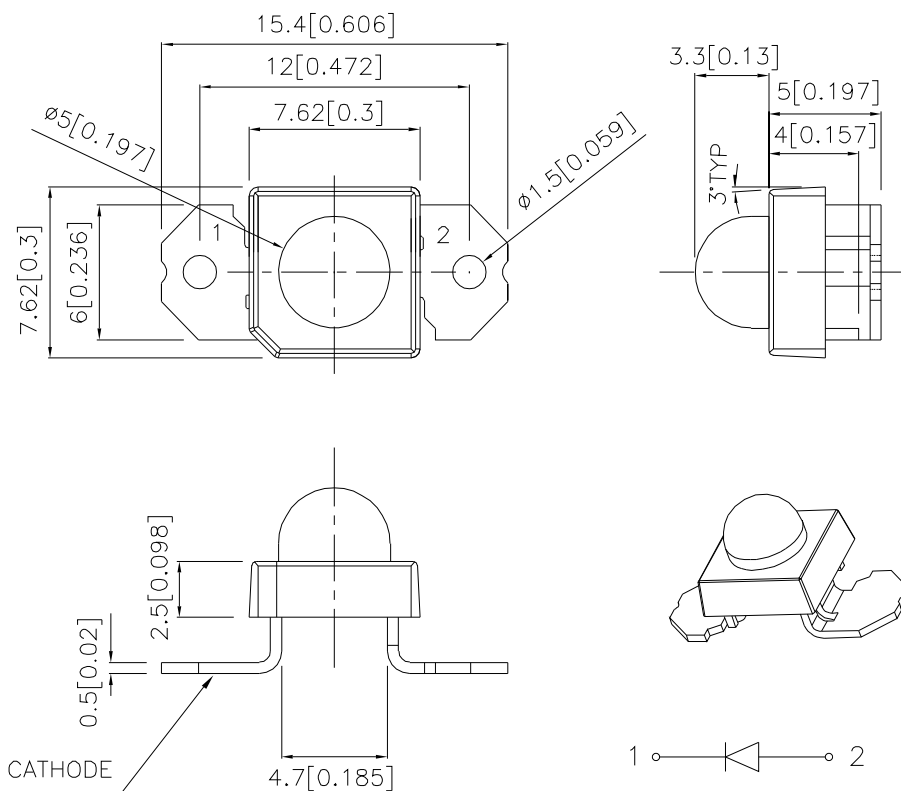
Benefits

- *Rugged Lighting Products.
- *Electricity savings.
- *Maintenance savings.
- *Environmental Conformance.

Typical Applications

- *Automotive Exterior Lighting.
- *Solid State Lighting and Signaling.

Outline Drawings



Notes:

1. All dimensions are in millimeters (inches).
2. Tolerance is $\pm 0.25(0.01")$ unless otherwise noted.
3. Lead spacing is measured where the leads emerge from the package.
4. Specifications are subject to change without notice.

Absolute Maximum Ratings at $T_A=25^\circ\text{C}$

PARAMETER	VG-H	UNITS
DC Forward Current	50	mA
Power dissipation	230	mW
Reverse Voltage	5	V
Operating Temperature	-40 To +85	$^\circ\text{C}$
Storage Temperature	-55 To +85	$^\circ\text{C}$

Selection Guide

Part No.	LED COLOR	Iv(mcd) ^[1] @50mA		Viewing Angle ^[2]
		Min.	Typ.	2θ1/2 Typ.
L-7700C4VGC-H	GREEN (InGaN)	16000	21000	30°

Notes:

- Luminous intensity is measured with an integrating sphere after the device has stabilized.
- θ1/2 is the angle from optical centerline where the luminous intensity is 1/2 the optical centerline value.

Optical Characteristics at TA=25°C

IF=50mA Rθj-a=200°C/W

DEVICE TYPE	PEAK WAVELENGTH λPEAK (nm) TYP.	DOMINANT ^[1] WAVELENGTH λDOM (nm) TYP.	SPECTRAL LINE WAVELENGTH Δλ1/2(nm) TYP.
L-7700C4VGC-H	520	525	35

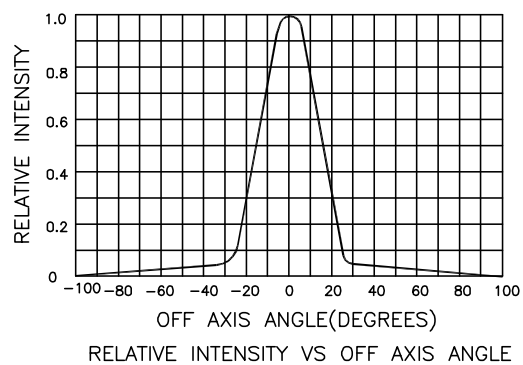
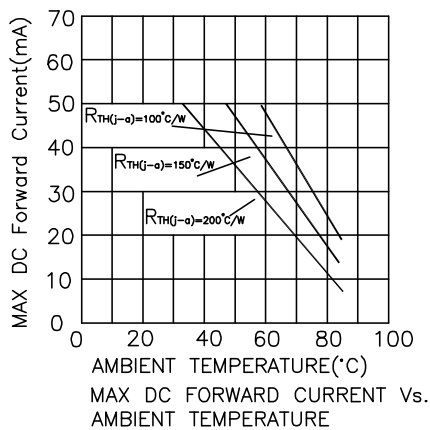
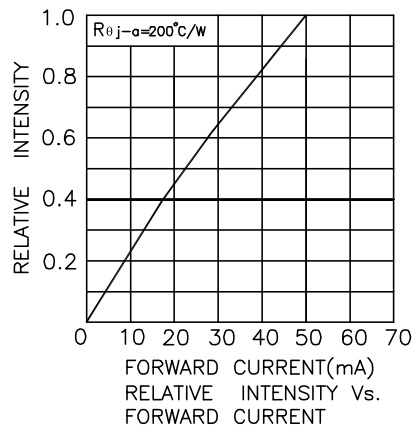
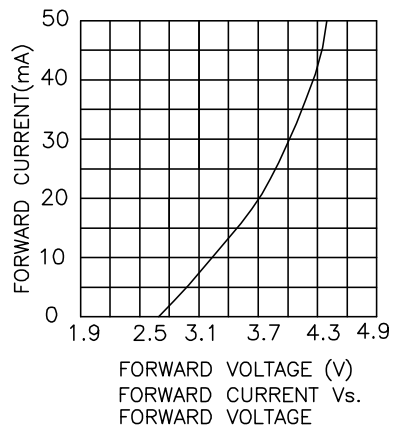
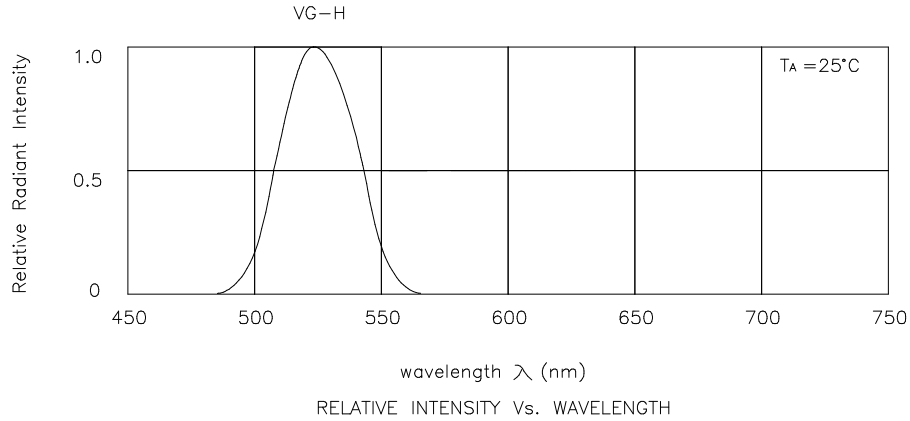
Note:

- The dominant wavelength is derived from the CIE Chromaticity Diagram and represents the perceived color of the device.

Electrical Characteristics at TA=25°C

DEVICE TYPE	FORWARD VOLTAGE VF(VOLTS) @ IF=50mA			REVERSE CURRENT IR (uA) @ VR=5V	CAPACITANCE C (pF) @ VF=0V F=1MHZ	THERMAL RESISTANCE Rθj-pin °C/W
	MIN.	TYP.	MAX.	MAX.	TYP.	TYP.
L-7700C4VGC-H	4.2	4.5	4.8	10	27	130

Figures



Remarks:

If there is sorting requirement (eg. forward voltage, luminous intensity or wavelength), the condition as follows:

- 1.Wavelength: +/-1nm (Test condition is based on the sorting standard).
- 2.Luminous intensity: +/-15% (Test condition is based on the sorting standard).
- 3.Forward voltage: +/-0.1V (Test condition is based on the sorting standard).