

PRELIMINARY SPEC

L-7700C4SEC-H



## Technical Data

### Features

- \* HIGH LUMINANCE OUTPUT.
- \* DESIGN FOR HIGH CURRENT OPERATION.
- \* SOLDERLESS MOUNTING TECHNIQUE.
- \* LOW POWER CONSUMPTION.
- \* LOW THERMAL RESISTANCE.
- \* LOW PROFILE.
- \* PACKAGED IN TUBES FOR USE WITH AUTOMATIC INSERTION EQUIPMENT.
- \* RoHS COMPLIANT.

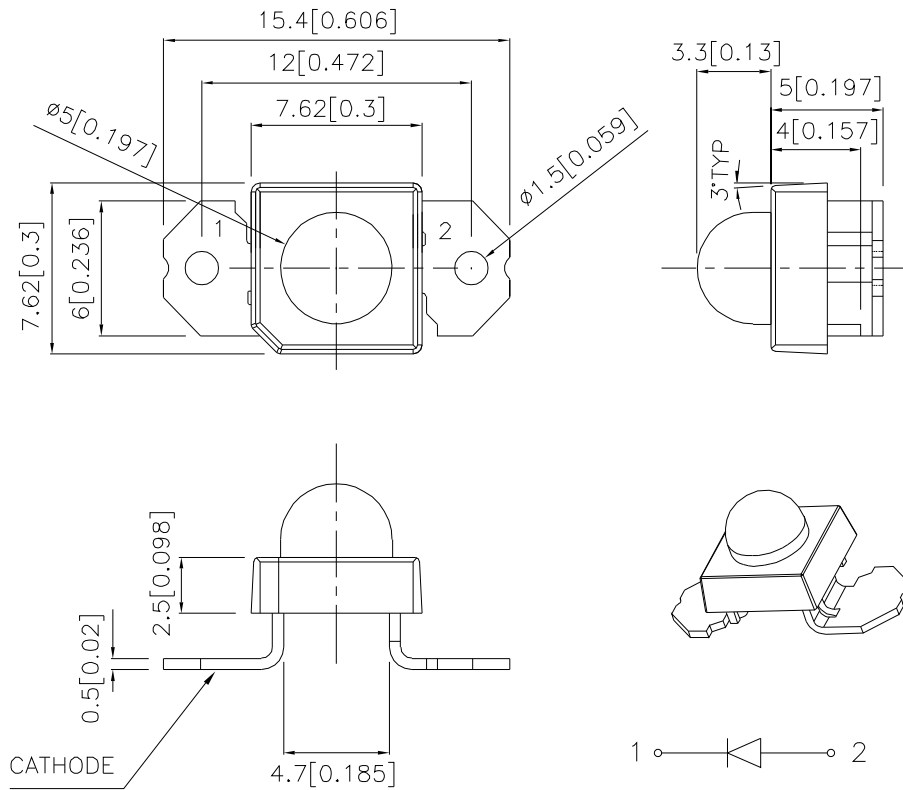
### Benefits

- \*Rugged Lighting Products.
- \*Electricity savings.
- \*Maintenance savings.
- \*Environmental Conformance.

### Typical Applications

- \*Automotive Exterior Lighting.
- \*Solid State Lighting and Signaling.

## Outline Drawings



**Notes:**

1. All dimensions are in millimeters (inches).
2. Tolerance is  $\pm 0.25(0.01)$ " unless otherwise noted.
3. Lead spacing is measured where the leads emerge from the package.
4. Specifications are subject to change without notice.

### Absolute Maximum Ratings at $T_A=25^\circ\text{C}$

PARAMETER	SE-H	UNITS
DC Forward Current	70	mA
Power dissipation	200	mW
Reverse Voltage	5	V
Operating Temperature	-40 To +85	$^\circ\text{C}$
Storage Temperature	-55 To +85	$^\circ\text{C}$

## Selection Guide

Part No.	LED COLOR	Iv(mcd) <sup>[1]</sup> @70mA		Viewing Angle <sup>[2]</sup>
		Min.	Typ.	2θ1/2 Typ.
L-7700C4SEC-H	HYPER ORANGE (InGaAlP)	25000	30000	30°

Notes:

- Luminous intensity is measured with an integrating sphere after the device has stabilized.
- θ1/2 is the angle from optical centerline where the luminous intensity is 1/2 the optical centerline value.

## Optical Characteristics at TA=25°C

IF=70mA Rθj-a=200°C/W

DEVICE TYPE	PEAK WAVELENGTH λPEAK (nm) TYP.	DOMINANT <sup>[1]</sup> WAVELENGTH λDOM (nm) TYP.	SPECTRAL LINE WAVELENGTH Δλ1/2(nm) TYP.
L-7700C4SEC-H	640	630	25

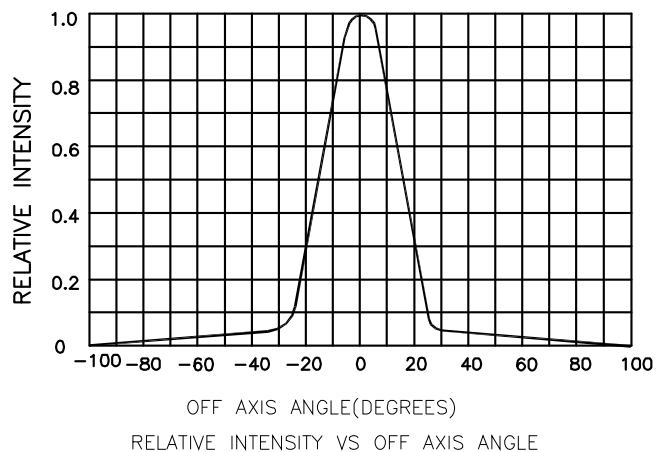
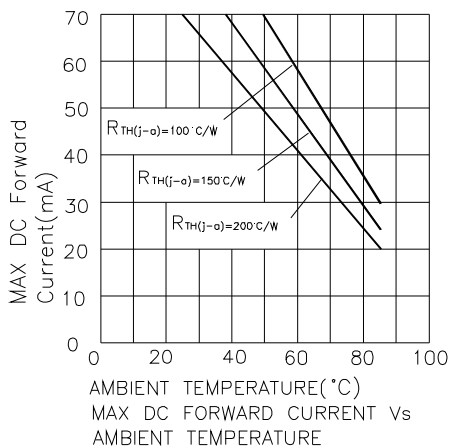
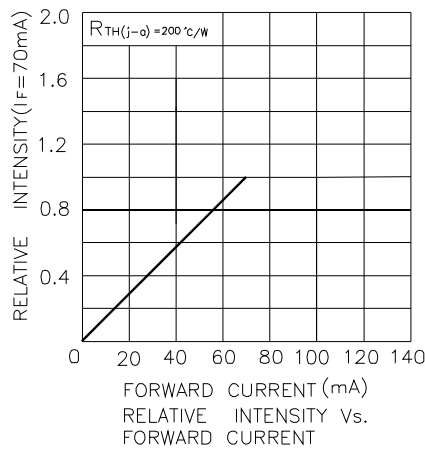
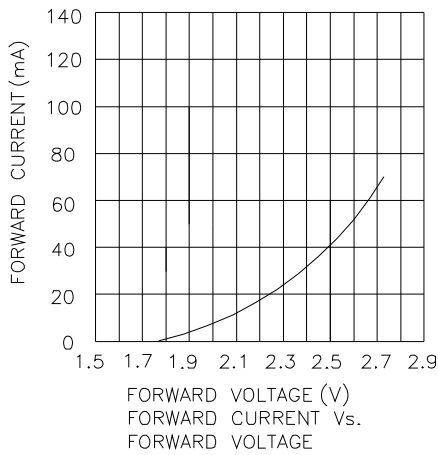
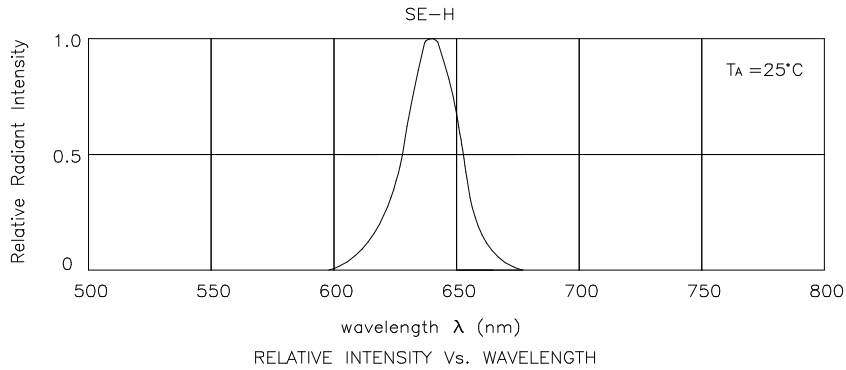
Note:

- The dominant wavelength is derived from the CIE Chromaticity Diagram and represents the perceived color of the device.

## Electrical Characteristics at TA=25°C

DEVICE TYPE	FORWARD VOLTAGE VF(VOLTS) @ IF=70mA			REVERSE CURRENT IR (uA) @ VR=5V	CAPACITANCE C (pF) @ VF=0V F=1MHZ	THERMAL RESISTANCE Rθj-pin °C/W
	MIN.	TYP.	MAX.	MAX.	TYP.	TYP.
L-7700C4SEC-H	2.5	2.7	3.1	10	27	125

## Figures



**Remarks:**

If there is sorting requirement (eg. forward voltage, luminous intensity or wavelength), the condition as follows:

1. Wavelength: +/-1nm (Test condition is based on the sorting standard).
2. Luminous intensity: +/-15% (Test condition is based on the sorting standard).
3. Forward voltage: +/-0.1V (Test condition is based on the sorting standard).