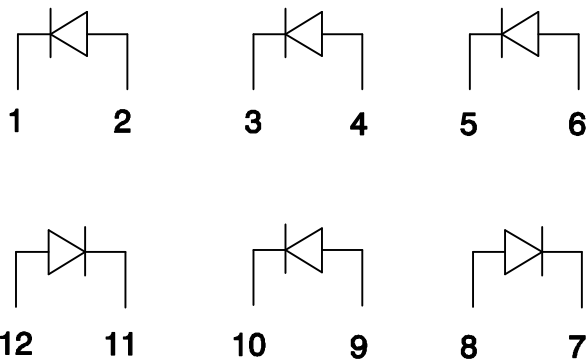
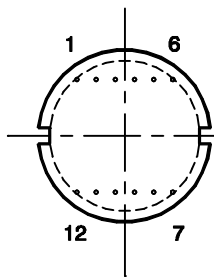
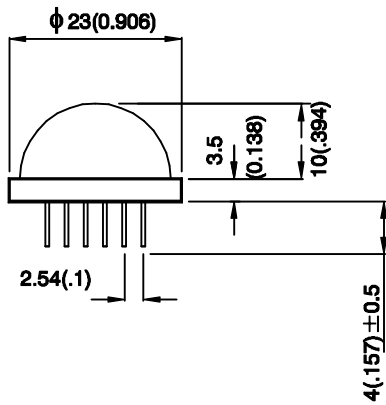
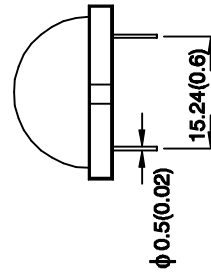
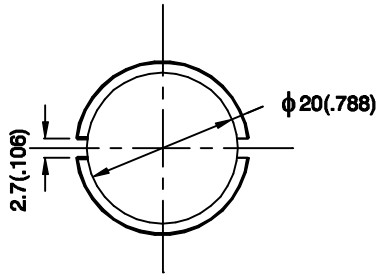


20mm LIGHT BAR

DLC/6



NOTES :
 1.All dimensions are in millimeters(inches)
 2.Tolerance is $\pm 0.25\text{mm}(0.01")$ unless otherwise noted.

APPROVED:

CHECKED:

DRAWN :

SCALE :

DATA NO. : E1028

3 : 1

DATE : APR/23/98